



BLIND
X-PRESS

THE PORTFOLIO COLLECTION™
DUAL SHEER SHADES

2024 PRODUCT GUIDE

THE PORTFOLIO COLLECTION™

DUAL SHEER SHADES



The Portfolio Collection's Dual Sheer Shades include beautiful textures and trending colors in dual sheer shade materials. Find the perfect light solution for every kind of decor.

Dual Sheer Shades offer the ultimate in privacy and light control, with horizontal fabric bands that can be opened or closed to your preference. Align the fabric bands in the open position for light and view-through, or close the bands for privacy and shade. Fully raise the shade to allow full light and enjoy the view.

Shades are available in wide widths with fabrics up to 108" or 110" wide. Find the perfect band for your view-through preferences with band heights ranging from 3" - 4¾".

Shades come standard with clutch control. Choose cordless control or our unbeatable wand and remote control motorization options for cord-free lift. All dual sheer shades come standard with a 3" cassette that is available with a rounded or square profile. Add a fabric wrapped bottom bar for the perfect finishing touch.

Enjoy peace of mind with our Limited Lifetime Warranty, covering all aspects of workmanship and quality in your shades.

MATERIALS REFERENCE - LIGHT-FILTERING

PATTERN CODE	PATTERN NAME	COLOR	PRICE GROUP	MAXIMUM WIDTH	MAXIMUM LENGTH	BAND SIZE		RECOMMENDED COMPONENT COLOR
						FABRIC	SHEER	
AS04	Addison	Ivory	E	108"	108"	4¾"	3"	Beige
AS01	Addison	Sand	E	108"	108"	4¾"	3"	Beige
AS03	Addison	Silver	E	108"	108"	4¾"	3"	Gray
AS02	Addison	Sky	E	108"	108"	4¾"	3"	Gray
AS05	Addison	Snow	E	108"	108"	4¾"	3"	White
AI01	Alaia	Dark Gray	D	108"	108"	3"	2"	Gray
AI03	Alaia	Ice	D	108"	108"	3"	2"	White
AI02	Alaia	Soft Gray	D	108"	108"	3"	2"	Gray
AN14	Albion	Ice	C	108"	108"	3¾"	2¾"	White
AN15	Albion	Ivory	C	108"	108"	3¾"	2¾"	Beige
AN16	Albion	Khaki	C	108"	108"	3¾"	2¾"	Bronze
AN12	Albion	Latte	C	108"	108"	3¾"	2¾"	Beige
AN17	Albion	Midnight	C	108"	108"	3¾"	2¾"	Black
AN11	Albion	Pearl	C	108"	108"	3¾"	2¾"	White
AN13	Albion	Soft Gray	C	108"	108"	3¾"	2¾"	Gray
AN19	Albion	Storm	C	108"	108"	3¾"	2¾"	Gray
AN18	Albion	Thunder	C	108"	108"	3¾"	2¾"	Gray
AL01	Alessa	Beige	D	108"	108"	3"	2"	Beige
AL02	Alessa	Coconut	D	108"	108"	3"	2"	Beige
AL03	Alessa	Gray	D	108"	108"	3"	2"	Gray
AL04	Alessa	Ivory	D	108"	108"	3"	2"	Beige
AL05	Alessa	Sand	D	108"	108"	3"	2"	Beige
AL06	Alessa	Taupe	D	108"	108"	3"	2"	Gray
AL07	Alessa	White	D	108"	108"	3"	2"	White
AH04	Asher	Canyon	A	110"	108"	3"	2"	Bronze
AH03	Asher	Gray	A	110"	108"	3"	2"	Gray
AH02	Asher	Mineral	A	110"	108"	3"	2"	Gray
AH01	Asher	Sandstone	A	110"	108"	3"	2"	Beige
BX01	Bixby	Black	D	108"	108"	3"	2"	Black
BX05	Bixby	Bright White	D	108"	108"	3"	2"	White
BX02	Bixby	Heather Gray	D	108"	108"	3"	2"	Gray
BX03	Bixby	Ivory	D	108"	108"	3"	2"	Beige
BX04	Bixby	Oxford	D	108"	108"	3"	2"	Black
BY04	Bryson	Almond	D	108"	108"	4"	2¾"	White
BY02	Bryson	Bark	D	108"	108"	4"	2¾"	Bronze
BY01	Bryson	Beige	D	108"	108"	4"	2¾"	Beige
BY03	Bryson	Canvas	D	108"	108"	4"	2¾"	Beige
KG04	Kingston	Bright White	D	108"	108"	3¼"	2¼"	White
KG02	Kingston	Onyx	D	108"	108"	3¼"	2¼"	Black
KG01	Kingston	Sand	D	108"	108"	3¼"	2¼"	Beige
KG03	Kingston	Shadow	D	108"	108"	3¼"	2¼"	Gray

MATERIALS REFERENCE - LIGHT-FILTERING

PATTERN CODE	PATTERN NAME	COLOR	PRICE GROUP	MAXIMUM WIDTH	MAXIMUM LENGTH	BAND SIZE		RECOMMENDED COMPONENT COLOR
						FABRIC	SHEER	
LA03	Lani	Aluminum	D	108"	108"	4"	2¾"	Gray
LA04	Lani	Cloud	D	108"	108"	4"	2¾"	White
LA01	Lani	Honey	D	108"	108"	4"	2¾"	Beige
LA02	Lani	Iron	D	108"	108"	4"	2¾"	Gray
LE31	Leigh	Champagne	B	110"	108"	3"	2"	Beige
LE34	Leigh	Clay	B	110"	108"	3"	2"	Beige
LE32	Leigh	Eggshell	B	110"	108"	3"	2"	Beige
LE37	Leigh	Mineral	B	110"	108"	3"	2"	Gray
LM03	Loma	Fog	D	108"	108"	3"	2"	Gray
LM04	Loma	Ice	D	108"	108"	3"	2"	White
LM01	Loma	Mist	D	108"	108"	3"	2"	Beige
LM02	Loma	Stone	D	108"	108"	3"	2"	Bronze
MB03	Marble	Hazel	E	108"	108"	3"	2"	Bronze
MB01	Marble	Ivory	E	108"	108"	3"	2"	Beige
MB04	Marble	Pearl	E	108"	108"	3"	2"	White
MB02	Marble	Taupe	E	108"	108"	3"	2"	Bronze
MT03	Matteo	Chiffon	C	108"	108"	3"	2"	Beige
MT02	Matteo	Contrast	C	108"	108"	3"	2"	Black
MT04	Matteo	Earth	C	108"	108"	3"	2"	Bronze
MT06	Matteo	Navy	C	108"	108"	3"	2"	Black
MT01	Matteo	Slate	C	108"	108"	3"	2"	Gray
MT05	Matteo	Soft Gray	C	108"	108"	3"	2"	Gray
MT07	Matteo	Stone	C	108"	108"	3"	2"	Gray
MT08	Matteo	White	C	108"	108"	3"	2"	White
SL01	Solana	Driftwood	D	108"	108"	3"	2"	Beige
SL03	Solana	Walnut	D	108"	108"	3"	2"	Bronze
SL02	Solana	Winter	D	108"	108"	3"	2"	White
TH17	Theo	Chocolate	A	110"	108"	3"	2"	Bronze
TH24	Theo	Gray	A	110"	108"	3"	2"	Gray
TH11	Theo	Ice White	A	110"	108"	3"	2"	White
TH16	Theo	Latte	A	110"	108"	3"	2"	Bronze
TH15	Theo	Sand	A	110"	108"	3"	2"	Beige
TH21	Theo	Storm	A	110"	108"	3"	2"	Gray
TH12	Theo	White	A	110"	108"	3"	2"	White
TR03	Tory*	Caramel	E	108"	108"	4¾"	3"	Bronze
TR01	Tory*	Cotton	E	108"	108"	4¾"	3"	Beige
TR02	Tory*	Latte	E	108"	108"	4¾"	3"	Bronze
TR04	Tory*	Pearl	E	108"	108"	4¾"	3"	White

*All colors of Tory require a large bottom bar and are not available to order with cordless control or square bottom bar.

MATERIALS REFERENCE - ROOM-DARKENING

PATTERN CODE	PATTERN NAME	COLOR	PRICE GROUP	MAXIMUM WIDTH	MAXIMUM LENGTH	BAND SIZE		RECOMMENDED COMPONENT COLOR
						FABRIC	SHEER	
BR05	Brantley	Bark	E	108"	108"	4"	2¾"	Bronze
BR01	Brantley	Beige	E	108"	108"	4"	2¾"	Beige
BR02	Brantley	Charcoal	E	108"	108"	4"	2¾"	Gray
BR03	Brantley	Natural Gray	E	108"	108"	4"	2¾"	Gray
BR04	Brantley	White	E	108"	108"	4"	2¾"	Gray
BG01	Briggs	Charcoal	D	110"	108"	4"	2¾"	Black
BG02	Briggs	Clay	D	110"	108"	4"	2¾"	Gray
BG03	Briggs	Light Gray	D	110"	108"	4"	2¾"	Gray
BG04	Briggs	White	D	110"	108"	4"	2¾"	White
DA03	Dalton	Ice	E	108"	108"	4¾"	3½"	White
DA01	Dalton	Pistachio	E	108"	108"	4¾"	3½"	Beige
DA02	Dalton	Platinum	E	108"	108"	4¾"	3½"	Gray
DL02	Declan	Iron	E	108"	108"	3"	2"	Black
DL01	Declan	Ivory	E	108"	108"	3"	2"	Beige
EV11	Evlin	Black	D	110"	108"	3¼"	2"	Black
KN04	Kane	Almond	E	108"	108"	4"	2¾"	White
KN02	Kane	Bark	E	108"	108"	4"	2¾"	Bronze
KN01	Kane	Beige	E	108"	108"	4"	2¾"	Beige
KN03	Kane	Gray	E	108"	108"	4"	2¾"	Gray
LD01	Landry	Anthracite	D	110"	108"	3¾"	2½"	Gray
LD02	Landry	Mist	D	110"	108"	3¾"	2½"	Gray
LN01	Lena	Heather Gray	E	108"	108"	4¼"	3"	Gray
LN04	Lena	Mist	E	108"	108"	4¼"	3"	White
LN03	Lena	Sand	E	108"	108"	4¼"	3"	Beige
LN02	Lena	Walnut	E	108"	108"	4¼"	3"	Bronze
MA01	Mara	Bronze	E	108"	108"	4"	2¾"	Bronze
MA02	Mara	Ivory	E	108"	108"	4"	2¾"	Gray
MA03	Mara	Silver	E	108"	108"	4"	2¾"	Gray
NK01	Nika	Ivory	E	108"	108"	4"	2¾"	Beige
NK02	Nika	White	E	108"	108"	4"	2¾"	White

All room-darkening fabrics require a large bottom bar.

ABOUT DUAL SHEER SHADES

SHADE CARE AND CLEANING

Dual Sheer Shades are decorative in nature and are made using polyester materials. The fabrics in this collection should not be treated with harsh chemicals.

When dusting is required, use something gentle. We recommend a vacuum brush or lightly dusting by hand.

Light steaming may be used in the event of wrinkles. Please be sure to avoid contact with the fabric and hold the steamer at least 6" away.

If spot cleaning is required, use only water or a very mild detergent. Cleaning the shade in its entirety can cause it to shrink, leave water spots, or alter the color of the fabric.

PATTERN MATCHING AND SIDE BY SIDE SHADES

Fabric band matching is available for shades ordered in the same fabric and the same control type that are the **exact same length**.

When ordering, be sure to note that shades are side by side.

Please note, remakes for side by side shades can not be promised with all bands aligned, unless all side by side shades are ordered on the same remake. In the case of ordering mistakes for side by side shades, we can offer our standard 20% "Oops Discount" for all shades on the order that require pattern matching.

SHADE APPEARANCE

Because of their construction and fabric, Dual Sheer Shades may show waviness when not properly installed.

It is important to ensure shades will be installed to a level mounting surface or that shims are used to level the brackets. All provided brackets must be installed and evenly spaced.

This is especially important for shades wider than 95".

SHADE OPERATION

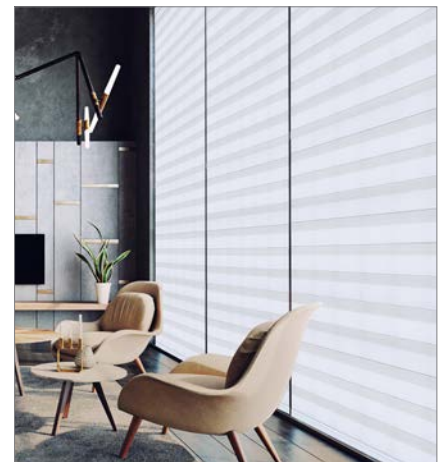
Open the fabric bands to allow light into the room.

Close the bands for privacy or to reduce glare.

Raise the shade to allow full light and enjoy the view.



Kingston Bright White Shade
with fabric bands open



Kingston Bright White Shade
with fabric bands closed

SHADE STYLES

CASSETTE OPTIONS

Dual Sheer Shades come standard with a rounded or square cassette.

Rounded cassettes will include a fabric insert. Square cassettes come standard unwrapped or can be fabric wrapped for a surcharge.

Available in 5 colors: white, beige, gray, bronze, and black.



Rounded Cassette
with fabric insert (standard)

Square Cassette
unwrapped (standard)

Square Cassette
wrapped (surcharge)



White



Beige



Gray
cassette and cord colors



Bronze



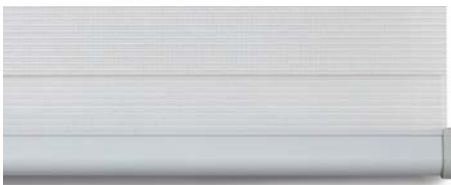
Black

BOTTOM BAR OPTIONS

Bottom bar color will match the cassette.

Clutch and motorized shades come standard with an unwrapped rounded or square bottom bar, and can be fabric wrapped for a surcharge.

Cordless bottom bars have a rounded shape and come standard unwrapped. Cordless bottom bars can be fabric wrapped for a surcharge.



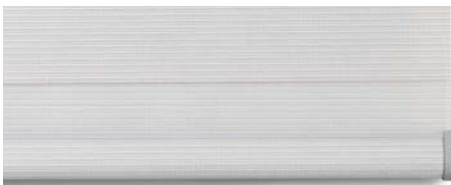
Rounded Bottom Bar
unwrapped (standard for clutch and motorized)



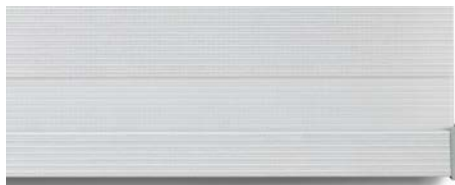
Square Bottom Bar
unwrapped (standard for clutch and motorized)



Cordless Bottom Bar
unwrapped (standard for cordless)



Rounded Bottom Bar
wrapped (surcharge for clutch and motorized)



Square Bottom Bar
wrapped (surcharge for clutch and motorized)



Cordless Bottom Bar
wrapped (surcharge for cordless)

SHADE CONTROL OPTIONS

CLUTCH CONTROL SHADES

Standard control is clutch with plastic beaded chain in 5 colors: white, beige, gray, bronze, and black. Cords are color coordinated to match cassette color.

Clutches and loop tensioners are always clear.

Cord loops come in standard sizes. The size closest to $\frac{3}{4}$ length of shade is standard. A different size may be selected for no additional charge.

Custom length metal bead chain is available as a surcharge option.

Compliant cord tensioners are provided with clutch control shades. Cord tensioners secure the cord loop to the wall or window. They must be installed for the shade to be compliant with safety regulations and to operate properly.

CORD LENGTH OPTIONS
19½"
29½"
39"
49"
59"
69"
79"
89"
98"



Clutch Shade

CORDLESS SHADES

Cordless shades can be set to an exact position by raising or lowering the bottom bar. All cordless shades will include a handle, which can be pulled when lowering the shade.

Fabrics noted with * on the Materials Table are not available to order with cordless control.

Cordless bottom bar can be fabric wrapped for a surcharge.

Lift Assist pole is available to help raise and lower cordless shades. Pole telescopes to 53".

Note: Cordless shades use a different bottom bar than available for clutch or motorized shades. See page 7 for details.



LIFT ASSIST



CORDLESS HANDLE
with lift assist



CORDLESS SHADE
unwrapped bottom bar

MOTORIZED SHADE CONTROL OPTIONS

WAND CONTROL SHADES

Wand control shades are operated by a rechargeable lithium-ion battery motor.

Shade motor battery charging port is in the back of the wand handle.

5 wand colors are available: white, beige, gray, bronze, and black.

4 wand lengths are available: 24", 36", 48" and 60".



Wand Colors
white, beige, gray, bronze, and black



Wand
with USB power adaptor



Wand Control Shade

MOTORIZED SHADE CONTROL OPTIONS

REMOTE CONTROL SHADES

Remote motor shades are available with rechargeable and hardwired motors which can be controlled with remotes, wall switches, or motor hubs.

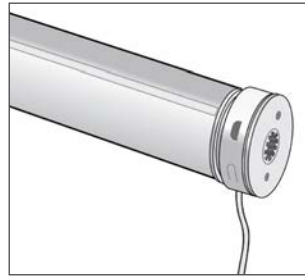
See available options below.



REMOTE
(multi-channel)



WALL SWITCH
(multi-channel)



MOTOR HEAD



Remote Control Shade

REMOTE MOTORS

	RECHARGEABLE LITHIUM ION	12 V DC HARDWIRED	12 V DC EXTERNAL POWER	100-240 AC HARDWIRED*
MOTOR TYPE	Standard Lift	Standard Lift	Standard Lift	Standard Lift
POWER SUPPLY	Internal	Hardwired	AA Battery Tube External LI Battery Pack	Hardwired <i>AC wall plug not available through this collection</i>
CHARGER	10' / 16½' Micro USB	-	10' / 16½' Micro USB <i>(used to recharge LI Battery Pack)</i>	-
REMOTE	Single/15-Channel Remote Single/15-Channel Wall Switch	Single/15-Channel Remote Single/15-Channel Wall Switch	Single/15-Channel Remote Single/15-Channel Wall Switch	Single/15-Channel Remote Single/15-Channel Wall Switch
AUTOMATION	Pro Hub	Pro Hub	Pro Hub	Pro Hub

*Requires installation by an electrician.

PRO HUB

Connects through 2.4 GHz wifi or directly to router with ethernet cable.

Works with Connector+ App, Amazon Alexa, Control4, Google Home, IFTTT, RTI, Samsung Smart Things, and Siri Short Cuts.



Pro Hub

SPECIFICATIONS

SHADE INSTALLATION SPECIFICATIONS

	MINIMUM WIDTH	MAXIMUM WIDTH ^[1]	MINIMUM HEIGHT	MAXIMUM HEIGHT	FLUSH IB DEPTH (Top Mount)	FLUSH IB DEPTH (Face Mount)	MINIMUM IB DEPTH (Top Mount)	CONTROL END GAP	IDLE END GAP	DIFFERENCE IN SHADE & FABRIC WIDTH
ROUNDED CASSETTE										
CLUTCH & LOOP	16"	110"	20"	108"	3 ³ / ₄ "	3 ³ / ₄ "	1"	5/8"	3/8"	1"
CORDLESS	24 ^[2] "	96"	20"	99"	3 ³ / ₄ "	3 ³ / ₄ "	1"	5/8"	3/8"	1"
WAND CONTROL	23"	110"	20"	108"	3 ³ / ₄ "	3 ³ / ₄ "	1"	5/8"	3/8"	1"
Remote Control Motors	23"	110"	20"	108"	3 ³ / ₄ "	3 ³ / ₄ "	1"	5/8"	3/8"	1"
• STANDARD LITHIUM ION	23"	110"	20"	108"	3 ³ / ₄ "	3 ³ / ₄ "	1"	5/8"	3/8"	1"
• STANDARD DC MOTOR	15"	110"	20"	108"	3 ³ / ₄ "	3 ³ / ₄ "	1"	5/8"	3/8"	1"
• STANDARD AC MOTOR	20½"	110"	20"	108"	3 ³ / ₄ "	3 ³ / ₄ "	1"	5/8"	3/8"	1"
SQUARE CASSETTE										
CLUTCH & CHAIN	16"	110"	20"	108"	3 ⁵ / ₈ "	3 ⁵ / ₈ "	1"	5/8"	3/8"	1"
CORDLESS	24 ^[2] "	96"	20"	99"	3 ⁵ / ₈ "	3 ⁵ / ₈ "	1"	5/8"	3/8"	1"
WAND CONTROL	23"	110"	20"	108"	3 ⁵ / ₈ "	3 ⁵ / ₈ "	1"	5/8"	3/8"	1"
Remote Control Motors	23"	110"	20"	108"	3 ⁵ / ₈ "	3 ⁵ / ₈ "	1"	5/8"	3/8"	1"
• STANDARD LITHIUM ION	23"	110"	20"	108"	3 ⁵ / ₈ "	3 ⁵ / ₈ "	1"	5/8"	3/8"	1"
• STANDARD DC MOTOR	15"	110"	20"	108"	3 ⁵ / ₈ "	3 ⁵ / ₈ "	1"	5/8"	3/8"	1"
• STANDARD AC MOTOR	20½"	110"	20"	108"	3 ⁵ / ₈ "	3 ⁵ / ₈ "	1"	5/8"	3/8"	1"

A deduction of ¼" will be made to all IB shades.

^[1] Fabric Widths: Check the Materials Reference table for individual fabric maximum width.

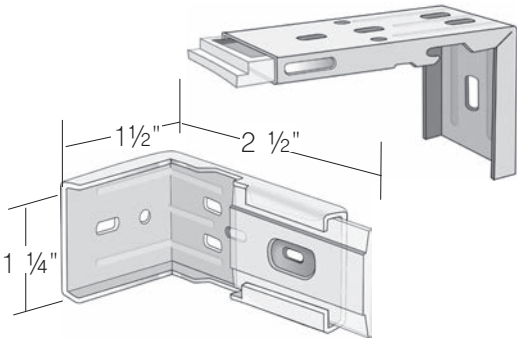
^[2] Cordless Shades: Cordless shades can be ordered with a minimum width of 20" for shades up to 60" long.

SPECIFICATIONS

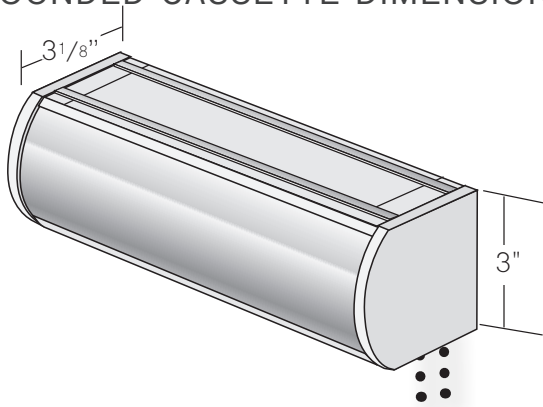
INSTALLATION DIMENSIONS

BRACKET DIMENSIONS

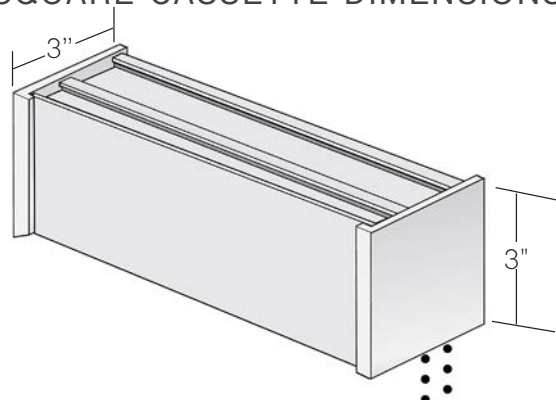
Rounded and square cassettes



ROUNDED CASSETTE DIMENSIONS

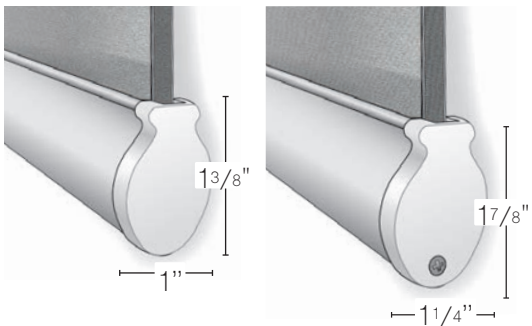


SQUARE CASSETTE DIMENSIONS



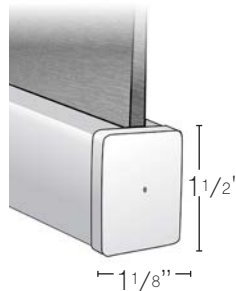
BOTTOM BAR

Small and large* bottom bar dimensions

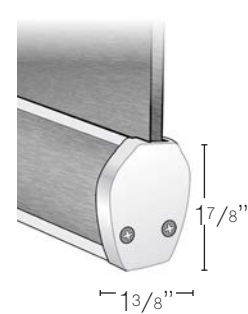


*A large bottom bar is required on some patterns, as noted by the Materials Reference table.

SQUARE BOTTOM BAR



CORDLESS BOTTOM BAR



SHADE PRICING - GROUP A AND B

PRICE GROUP A Asher Theo		WIDTH											
		24"	30"	36"	42"	48"	54"	60"	66"	72"	84"	96"	110"
LENGTH	36"	\$226	\$244	\$262	\$281	\$297	\$316	\$345	\$368	\$389	\$454	\$519	\$586
	42"	\$237	\$259	\$281	\$301	\$321	\$362	\$404	\$428	\$454	\$530	\$605	\$681
	48"	\$250	\$274	\$297	\$321	\$368	\$413	\$461	\$490	\$519	\$605	\$691	\$779
	54"	\$262	\$288	\$316	\$362	\$413	\$465	\$518	\$552	\$584	\$681	\$778	\$876
	60"	\$274	\$305	\$345	\$404	\$461	\$518	\$575	\$613	\$649	\$757	\$864	\$973
	66"	\$286	\$319	\$381	\$442	\$506	\$569	\$633	\$674	\$712	\$833	\$951	\$1,070
	72"	\$297	\$345	\$413	\$484	\$552	\$621	\$690	\$735	\$778	\$908	\$1,037	\$1,168
	78"	\$310	\$373	\$449	\$523	\$598	\$672	\$748	\$797	\$842	\$984	\$1,123	\$1,266
	84"	\$321	\$404	\$484	\$564	\$643	\$725	\$805	\$859	\$908	\$1,059	\$1,211	\$1,361
	90"	\$345	\$432	\$518	\$603	\$690	\$776	\$862	\$918	\$972	\$1,136	\$1,297	\$1,460
	96"	\$368	\$461	\$552	\$643	\$735	\$828	\$919	\$981	\$1,037	\$1,211	\$1,383	\$1,557
	108"	\$413	\$518	\$621	\$725	\$828	\$932	\$1,035	\$1,102	\$1,167	\$1,360	\$1,556	\$1,752

Check the Materials Reference table for selected fabric maximum width and length.

PRICE GROUP B Leigh		WIDTH											
		24"	30"	36"	42"	48"	54"	60"	66"	72"	84"	96"	110"
LENGTH	36"	\$283	\$303	\$321	\$340	\$359	\$378	\$411	\$439	\$464	\$541	\$619	\$697
	42"	\$295	\$318	\$340	\$362	\$384	\$433	\$480	\$512	\$541	\$632	\$721	\$812
	48"	\$308	\$334	\$359	\$384	\$439	\$493	\$548	\$584	\$619	\$721	\$825	\$929
	54"	\$321	\$348	\$378	\$433	\$493	\$554	\$618	\$657	\$696	\$812	\$928	\$1,043
	60"	\$334	\$365	\$411	\$480	\$548	\$618	\$685	\$731	\$773	\$902	\$1,031	\$1,161
	66"	\$346	\$381	\$452	\$528	\$603	\$679	\$754	\$803	\$850	\$992	\$1,134	\$1,276
	72"	\$359	\$411	\$493	\$576	\$658	\$739	\$823	\$877	\$928	\$1,082	\$1,237	\$1,392
	78"	\$371	\$445	\$536	\$624	\$713	\$802	\$891	\$950	\$1,005	\$1,172	\$1,340	\$1,508
	84"	\$384	\$480	\$576	\$673	\$768	\$864	\$960	\$1,023	\$1,082	\$1,263	\$1,442	\$1,623
	90"	\$411	\$515	\$618	\$720	\$823	\$925	\$1,029	\$1,095	\$1,160	\$1,353	\$1,545	\$1,740
	96"	\$439	\$548	\$658	\$768	\$877	\$987	\$1,097	\$1,168	\$1,237	\$1,442	\$1,648	\$1,855
	108"	\$493	\$618	\$739	\$864	\$987	\$1,111	\$1,233	\$1,316	\$1,390	\$1,622	\$1,854	\$2,088

Check the Materials Reference table for selected fabric maximum width and length.

SHADE PRICING - GROUP C AND D

		WIDTH												
		24"	30"	36"	42"	48"	54"	60"	66"	72"	84"	96"	110"	
PRICE GROUP C Albion Matteo	LENGTH	36"	\$331	\$350	\$370	\$391	\$411	\$432	\$438	\$483	\$510	\$594	\$679	\$764
		42"	\$344	\$367	\$391	\$414	\$438	\$492	\$512	\$562	\$594	\$694	\$791	\$891
		48"	\$357	\$384	\$411	\$438	\$499	\$562	\$584	\$643	\$679	\$791	\$905	\$1,019
		54"	\$370	\$400	\$432	\$492	\$562	\$631	\$657	\$723	\$763	\$891	\$1,018	\$1,145
		60"	\$384	\$418	\$468	\$547	\$624	\$702	\$729	\$803	\$849	\$990	\$1,130	\$1,273
		66"	\$397	\$435	\$516	\$600	\$686	\$773	\$803	\$883	\$933	\$1,089	\$1,244	\$1,400
		72"	\$411	\$468	\$562	\$655	\$749	\$842	\$876	\$963	\$1,018	\$1,187	\$1,356	\$1,527
		78"	\$424	\$508	\$609	\$710	\$811	\$912	\$948	\$1,043	\$1,102	\$1,286	\$1,470	\$1,655
		84"	\$438	\$547	\$655	\$764	\$874	\$983	\$1,021	\$1,123	\$1,187	\$1,385	\$1,583	\$1,782
		90"	\$468	\$586	\$702	\$818	\$936	\$1,052	\$1,095	\$1,203	\$1,272	\$1,485	\$1,696	\$1,909
		96"	\$499	\$624	\$749	\$874	\$998	\$1,123	\$1,167	\$1,283	\$1,356	\$1,583	\$1,809	\$2,036
		108"	\$562	\$702	\$842	\$983	\$1,123	\$1,264	\$1,314	\$1,445	\$1,526	\$1,780	\$2,035	\$2,291

Check the Materials Reference table for selected fabric maximum width and length.

		WIDTH												
		24"	30"	36"	42"	48"	54"	60"	66"	72"	84"	96"	110"	
PRICE GROUP D Alaia Alessa Bixby Briggs Bryson Evlin Kingston Landry Lani Loma Solana	LENGTH	36"	\$409	\$430	\$449	\$469	\$489	\$510	\$552	\$588	\$620	\$723	\$827	\$931
		42"	\$422	\$446	\$469	\$492	\$516	\$580	\$645	\$685	\$723	\$844	\$964	\$1,085
		48"	\$436	\$462	\$489	\$516	\$590	\$662	\$736	\$783	\$827	\$964	\$1,101	\$1,241
		54"	\$449	\$478	\$510	\$580	\$662	\$746	\$829	\$881	\$930	\$1,085	\$1,240	\$1,395
		60"	\$462	\$496	\$552	\$645	\$736	\$829	\$920	\$980	\$1,033	\$1,205	\$1,377	\$1,550
		66"	\$475	\$513	\$608	\$709	\$810	\$911	\$1,013	\$1,076	\$1,136	\$1,326	\$1,514	\$1,705
		72"	\$489	\$552	\$662	\$774	\$884	\$994	\$1,104	\$1,174	\$1,240	\$1,446	\$1,652	\$1,860
		78"	\$502	\$599	\$719	\$838	\$957	\$1,076	\$1,197	\$1,272	\$1,343	\$1,567	\$1,790	\$2,014
		84"	\$516	\$645	\$774	\$903	\$1,031	\$1,161	\$1,289	\$1,371	\$1,446	\$1,686	\$1,927	\$2,169
		90"	\$552	\$691	\$829	\$966	\$1,104	\$1,243	\$1,380	\$1,466	\$1,549	\$1,808	\$2,064	\$2,324
		96"	\$590	\$736	\$884	\$1,031	\$1,178	\$1,325	\$1,473	\$1,565	\$1,652	\$1,927	\$2,203	\$2,479
		108"	\$662	\$829	\$994	\$1,161	\$1,325	\$1,491	\$1,656	\$1,762	\$1,858	\$2,168	\$2,478	\$2,789

Check the Materials Reference table for selected fabric maximum width and length.

SHADE PRICING - GROUP E

PRICE GROUP E		WIDTH											
		24"	30"	36"	42"	48"	54"	60"	66"	72"	84"	96"	110"
Addison Brantley Dalton Declan Kane Lena Mara Marble Nika Tory	36"	\$492	\$511	\$529	\$549	\$567	\$587	\$635	\$676	\$716	\$834	\$954	\$1,092
	42"	\$504	\$526	\$549	\$570	\$593	\$667	\$740	\$788	\$834	\$974	\$1,112	\$1,273
	48"	\$517	\$542	\$567	\$593	\$677	\$761	\$847	\$902	\$954	\$1,112	\$1,271	\$1,456
	54"	\$529	\$557	\$587	\$667	\$761	\$857	\$953	\$1,014	\$1,072	\$1,252	\$1,430	\$1,637
	60"	\$542	\$574	\$635	\$740	\$847	\$953	\$1,058	\$1,127	\$1,192	\$1,389	\$1,589	\$1,820
	66"	\$554	\$590	\$699	\$814	\$931	\$1,047	\$1,164	\$1,239	\$1,310	\$1,530	\$1,747	\$2,000
	72"	\$567	\$635	\$761	\$888	\$1,015	\$1,142	\$1,269	\$1,351	\$1,430	\$1,667	\$1,906	\$2,183
	78"	\$579	\$687	\$826	\$963	\$1,099	\$1,237	\$1,375	\$1,464	\$1,549	\$1,808	\$2,064	\$2,364
	84"	\$593	\$740	\$888	\$1,037	\$1,185	\$1,333	\$1,480	\$1,578	\$1,667	\$1,946	\$2,224	\$2,546
	90"	\$635	\$794	\$953	\$1,110	\$1,269	\$1,427	\$1,586	\$1,689	\$1,787	\$2,085	\$2,383	\$2,728
	96"	\$677	\$847	\$1,015	\$1,185	\$1,354	\$1,523	\$1,692	\$1,802	\$1,906	\$2,224	\$2,541	\$2,909
	108"	\$761	\$953	\$1,142	\$1,333	\$1,523	\$1,714	\$1,903	\$2,027	\$2,144	\$2,501	\$2,859	\$3,274

Check the Materials Reference table for selected fabric maximum width and length.

DUAL SHEER SHADE PRICING - OPTIONS

CHAIN CONTROLS

METAL BEAD CHAIN: **\$62**

CORDLESS CONTROL

CORDLESS CONTROL UPGRADE: **\$192**

CORDLESS LIFT ASSIST POLE: **\$80**

FABRIC WRAPPED SQUARE CASSETTE

FABRIC WRAP UPGRADE: **\$80**

MOTORIZATION UPGRADES

MOTORS	
WAND MOTOR	\$266
STANDARD REMOTE MOTOR <i>RECHARGEABLE LITHIUM ION, DC, AND AC STYLES</i>	\$460
CONTROLS, BATTERIES, AND CHARGERS	
HAND HELD REMOTE (SINGLE CHANNEL)	\$73
HAND HELD REMOTE (15 CHANNELS)	\$111
WALL SWITCH (SINGLE CHANNEL)	\$83
WALL SWITCH (15 CHANNELS)	\$114
PRO HUB	\$458
RECHARGEABLE LI BATTERY PACK <i>EXTERNAL POWER SUPPLY FOR DC MOTOR</i>	\$160
10' MICRO-USB CHARGER <i>CHARGES WAND/LI MOTORS AND LI BATTERY PACK</i>	\$73
16 1/2' MICRO-USB CHARGER <i>CHARGES LI MOTORS AND LI BATTERY PACK</i>	\$83

DUAL SHEER SHADE WARRANTY

LIMITED LIFETIME WARRANTY

This product is warranted against defects in materials and workmanship, provided that:

1. The product was installed according to the product instructions.
2. Manufacturer recommendations were followed regarding limitations and specifications of the product.

Manufacturer reserves the right to determine if your shade warrants a repair or partial replacement of any parts. If necessary, Manufacturer will replace your shade with a new shade of equal or superior value. This shall be your sole remedy under this warranty.

This Limited Lifetime Warranty excludes all motors, controls, and accessories that are warranted for only a period of five years from the date of purchase. Failure to follow the proper installation, charging and use instructions will invalidate the warranty for motors, remotes, wands, and hubs.

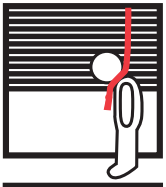
This Limited Lifetime Warranty applies only to the original retail purchaser with proof of purchase in a residential application.

This Limited Lifetime Warranty does not cover the removal or installation of original or replacement shades. This Limited Lifetime Warranty does not cover damage or defects caused by, or resulting from improper maintenance, neglect or improper use, wear and tear, abuse, neglect, accidents, alteration, commercial use, installation, removal or reinstallation, or exposure to excessive moisture.

YOUR RIGHTS UNDER STATE LAW

These warranties give you specific legal rights. You may also have other rights which may vary from State to State. In no event shall Manufacturer be liable for incidental or consequential damages or for any other direct or indirect damage, loss, cost, expense or fee. Some states do not allow the exclusion or limitation of incidental or consequential damages, so the above limitation or exclusion may not apply to you. These warranties are exclusive and in lieu of all other obligations, liabilities, disclaimers, or warranties.

⚠️ WARNING



Window Blind Cord Strangulation Risk

A damaged, loose, or missing tension device poses a strangulation risk to children. Remove from use and repair or replace if tension device is damaged, loose, or missing.

ANSI/WCMAA100.1-2022

⚠️ ADVERTENCIA



Riesgo de Estrangulamiento en Cuerdas de Persianas

Un dispositivo tensor dañado, suelto o ausente representa un riesgo de estrangulamiento para los niños. Retire del uso y arregle o reemplace si el dispositivo tensor está dañado, suelto o ausente.

ANSI/WCMAA100.1-2022



12752 Stark Road, Livonia MI 48150
734-421-8844 Phone
734-421-8870 Fax
www.blindxpress.com

©Pro Design LLC